

G2100GLK Glass Door Cam Lock

Features

- For glass single sliding doors
- Available for both right and left swing door
- Key is removable only when locked
- 12 key changes available

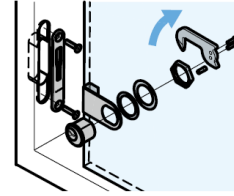
Recommended Screws

- Countersunk head tapping screw 3.5

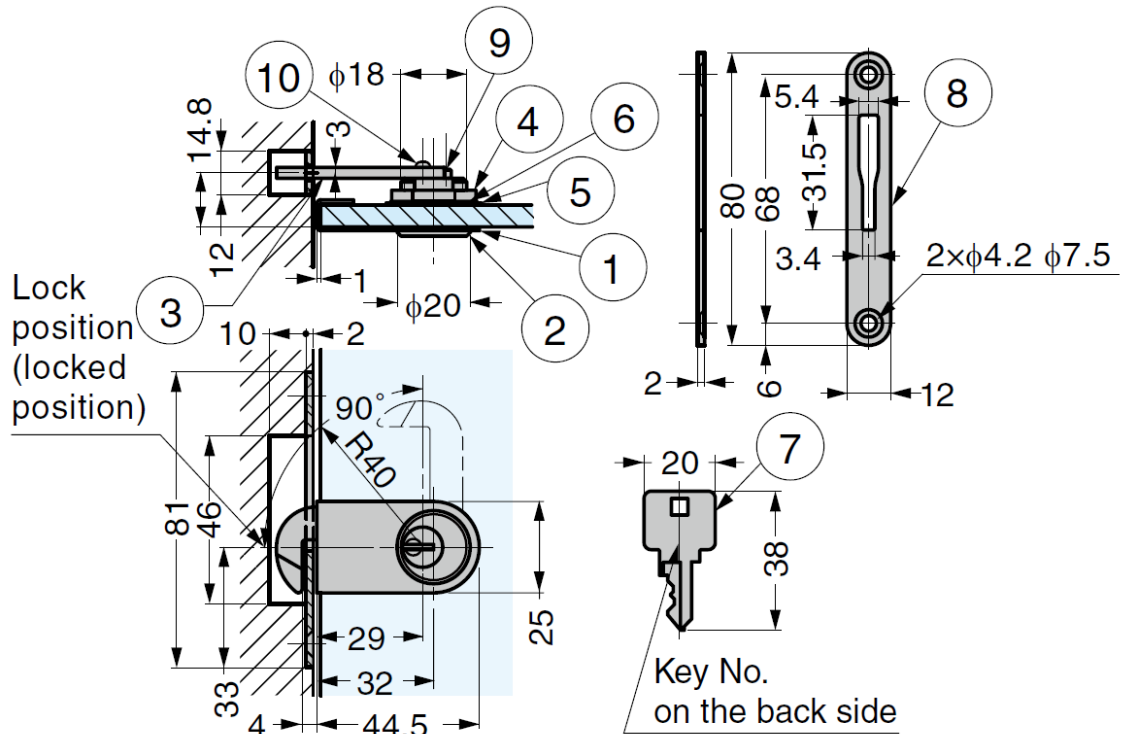
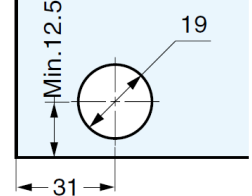


No.	Part Name	Material	Finish/Colour
①	Front Plate	Stainless Steel (SUS304)	Satin
②	Body	Brass	Satin Nickel
③	Cam	Steel (SPHC)	Nickel
④	Hex Nut	Brass	
⑤	Plastic Washer	PA	Natural
⑥	Washer	Steel	Nickel
⑦	Key	Brass	
⑧	Strike	Steel (SPCC)	
⑨	Screw (Stopper for the Cam)	Brass	Plain
⑩	Screw (for Installing Cam) (Pan Head Screw M2.5 x 8)	Steel	Nickel

Installation



Cut Out Dimensions



Part No.	Key Type	Cylinder Diameter	Glass Thickness
G2100GLK-B	Keyed Differently	20	4 ~ 6
G2100GLK-D	Keyed Alike		